



ECOPHON

CLIPSO™

IT STARTS WITH FABRIC

04 ABOUT ECOPHON

06 GOOD ACOUSTICS MATTER EVERYWHERE

08 TOWARDS NET-ZERO ACOUSTICS

10 IT STARTS WITH FABRIC

12 WHY CLIPSO

14 ECOPHON CLIPSO PRODUCT RANGE

- 16 So Acoustic
- 17 So Classic
- 18 So Acoustic Antibacterial

18 REFERENCES

26 STRAIGHT EDGE

27 ARAWN EDGE

28 COLOURS AND SURFACES

30 SYSTEM PROPERTIES

Acoustics, technical properties and installation diagrams

CONTACT US

Saint-Gobain Ecophon, Monk Sherborne Road, Ramsdell, Tadley, RG26 5PP

Tel: 01256 850977 Fax: 01256 851550
Email: info@ecophon.co.uk

Sales office, for order and stock information:

Tel: 01256 855220 Fax: 01256 850600
Email: sales.office@ecophon.co.uk

Technical Support

Tel: 01256 855250 Email: technical@ecophon.co.uk







04





A SOUND EFFECT

ON PEOPLE

05

Saint-Gobain Ecophon contributes to good indoor environments for working, healing and learning. We do this by developing, manufacturing and delivering acoustic products and systems designed around the natural evolution of human hearing - replicating the outdoor sound experience indoors, because that's just better for people.

Having a sound effect on people, in every way we can, is what we do proudly. That promise makes every one of us a passionate advocate for the importance of room acoustics to people's wellbeing - whatever the space, activity or need.

GOOD ACOUSTICS MATTER EVERYWHERE

06

The importance of acoustics is underappreciated. Sound impacts us in daily life, and the scientific support for improving our indoor sound environments is well-documented.

And what exactly is an ideal indoor sound environment for people? One based on how we experience sound outside. The human auditory sense is naturally adapted to an outdoor environment where there is not any sound reflections from ceilings and walls.

That's why most of what we do at Ecophon is about replicating the acoustic qualities found in nature for indoor environments. We want to optimise indoor spaces to our natural way of hearing, so that speech and sound is easy to hear and understand, when needed, improving performance and wellbeing.

Usually that starts with the ceiling. A wall-to-wall acoustic ceiling is the easiest way to get a large sound-absorbing surface area into a space, and is usually the best way to reduce sound strength, shorten reverberation times, and increase speech clarity and overall hearing comfort.







TOWARDS

NET-ZERO ACOUSTICS

Sustainability is more than a word – it's a collective movement to protect people, and the planet, that requires honest commitment and genuine care. That's why Ecophon is building on better materials, transparency, and principles, to name just a few.

We actively support an industry-wide drive to standardised, easy-access Environmental Product Declarations for individual products, rather than product families. Their inclusion of full lifecycle data, from raw material sourcing to end of life, rather than only the favourable stages. A move away from self-declared labels, or non-independently verified sustainability claims. Any promises of net zero carbon emission targets to be validated by the Science-Based Targets initiative.

If we're going to build a sustainable future, it has to start with an honest approach, high ambition and the best of intentions – to build on better together.



IT STARTS WITH **FABRIC**

Ecophon Clipso™ is a technical knitted fabric, that allows you to dress walls and ceilings with full covering. To create a seamless look, the fabric is stretched by the discrete profile, fixed to the room's perimeter. The visible surface is a knitted textile that is coated to provide a highly resistant fabric.

10

ACOUSTIC ABSORPTION

Absorption up to class A

COLOURS AND PRINTS

Available in 23 colours, customised prints and several different widths to match your specific need.

FABRIC

Coated premium technical fabric





Available in

23

DIFFERENT COLOURS

EMIRI TERMINAL AIRPORT, QATAR



12



IBC INNOVATION FACTORY, DENMARK



WHY CLIPSO

WIDE COVERS UP TO 5.10 M

Whole walls can be covered using just one holder. Looking to cover a larger surface? No problem – just use double-joint installation. Create a stretch ceiling with two covers, with minimal visible connections.

COLD AND DRY INSTALLATION

Clipso fabric is stretched without heating. Installation is quick and clean. This system reduces dust, odours, disruption and energy consumption, whilst also reducing rearrangement issues, making life easier.

INNOVATIVE ABS, ALU AND PVC PROFILES

With our Clipso profiles, your ceiling will be compatible with a range of different shape combinations. Clipso profiles are easy to install and cut.

A PERFECT FINISH FOR IMPECCABLE RESULTS

Clipso profiles are designed to be discreet and create a seamless look. Our system will provide you with high-quality walls and stretch ceilings.

CLIPSO PRODUCT RANGE

Clipso offers a wide choice of premium fabrics, which are infinitely customisable, offering the freedom to be unique and transform walls and ceilings into works of art.

COLOURS ON DEMAND

Clipso can give you the colour of your choice. Choose your Pantone colour reference and between standard or acoustic fabric.

WALL HANGING UNITS AND PARTITIONS

Combine technology and design with lightweight, robust and durable aluminium shapes and structures. Beautiful aerial forms can be created, such as hanging frames, acoustic baffles, wall frames, paintings and more.

PRINTED SOLUTION

We can print the visuals of your choice. Our image gallery and collection guarantees you'll get spectacular results.





SO ACOUSTIC

FABRIC AND ACOUSTICS IN ONE

The So Acoustic covering is a major technical achievement that combines acoustic performance with a stretched fabric.

So Acoustic 495 D/AC is an open structure knitted textile fabric with a uniform coating. So Acoustic 495 D/AC is used for rooms that need acoustic improvement. It has a wide range of applications and is suitable for both residential and non-residential areas.

16

-
- Absorption up to class A, installed with a 10, 30 or 50 mm absorber
 - Up to 5.10 m width
 - Cold and dry installation
-



ORIGINE OFFICE BUILDING, FRANCE

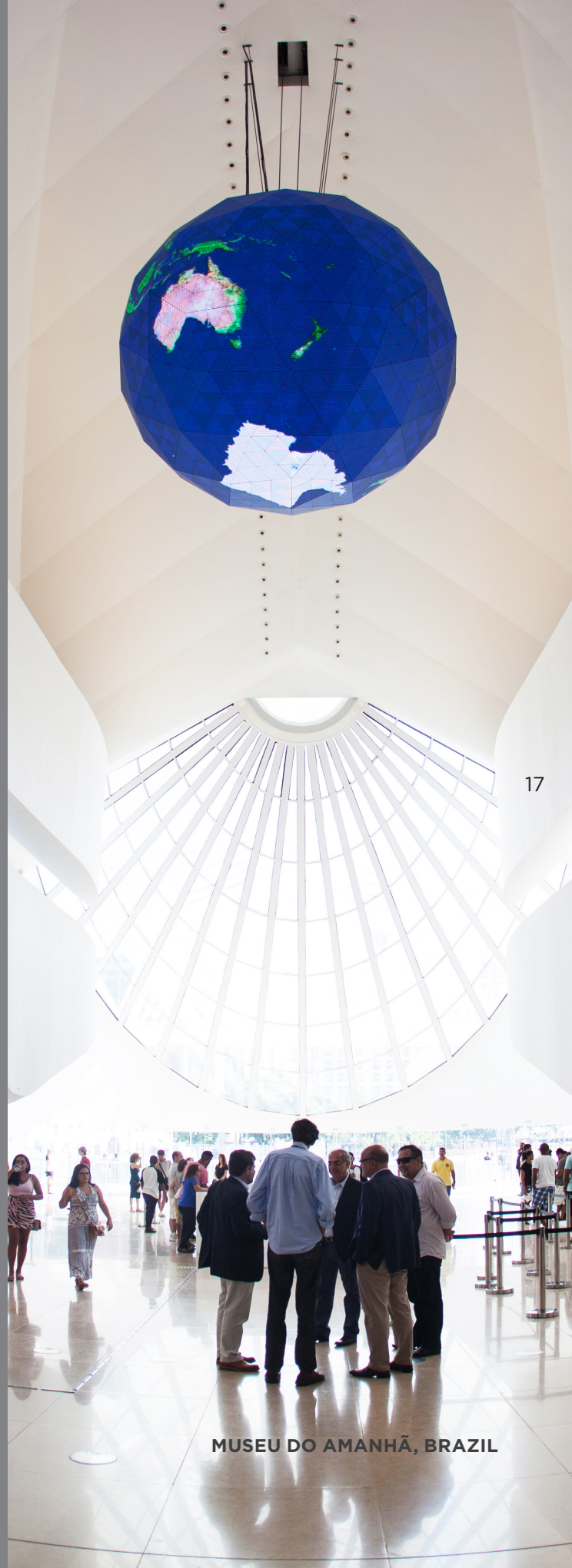
SO CLASSIC

FOR THE AESTHETIC AND THE TEXTURE

The So Classic covering works beautifully with any interior and is quick and easy to install. A timeless essential with neutral elegance.

So Classic 705 S is a textile fabric with a uniform coating and a timeless, neutral elegance. So Classic 705 S has a wide range of applications and is suitable for both residential and non-residential areas.

-
- Lightweight fabric installed without absorber
 - Up to 5.10 m width
 - Cold and dry installation with a neutral finish
-



SO ACOUSTIC ANTIBACTERIAL

ACOUSTIC AND ANTIBACTERIAL TEXTILE

Ecophon Clipso™ So Acoustic Antibacterial is a micro perforated knit fabric with a uniform coating, that can be combined with an acoustic absorbent to reduce noise levels.

With its Sanitized® antimicrobial protection, Clipso So Acoustic Antibacterial is perfectly suited for healthcare premises and other areas with antibacterial needs, both for ceilings and walls.

18

-
- **Wall and ceiling acoustic solution for healthcare and clean room environments**
 - **Up to absorption class A**
 - **Sanitized® antimicrobial protection**
-







CORÉE DU SUD, KOREA

20



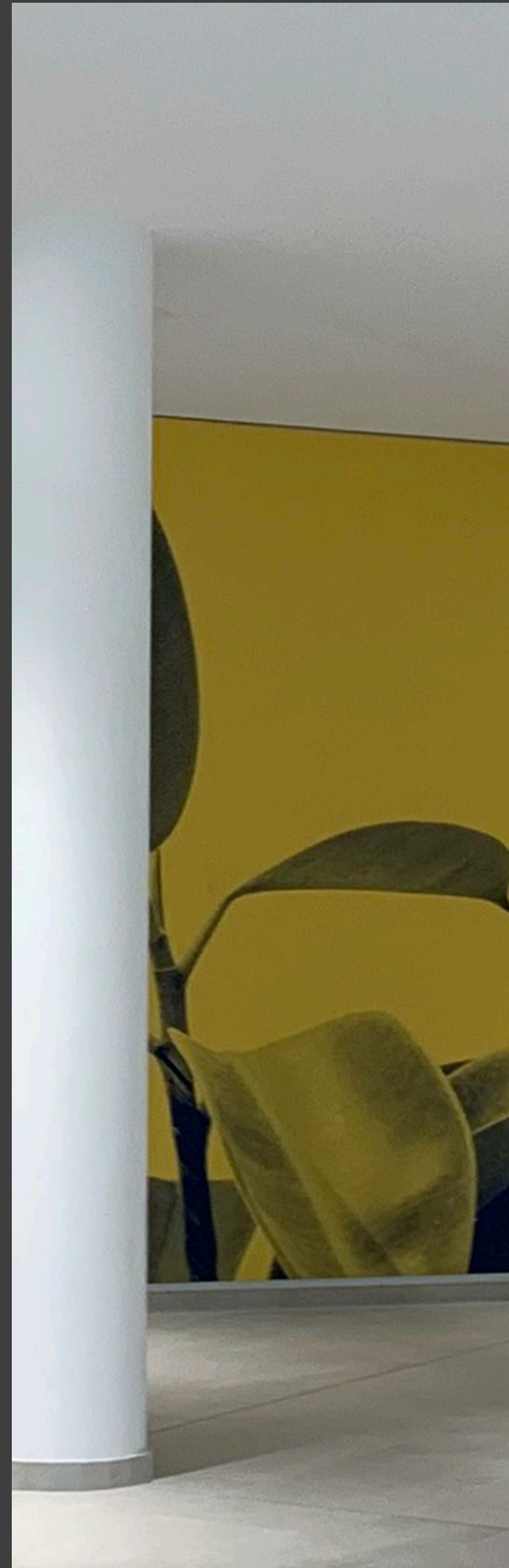
THE BLUE LAGUNE, ICELAND



MOTION PICTURE ASSOCIATION (MPA), UNITED STATES

**SKYMAKERS, QATAR**

Customised printed fabric. © Maxime Ardilouze

**ORIGINE OFFICE BUILDING, FRANCE**

Customised printed fabric.



SKYMAKERS, QATAR

Customised printed fabric. © Maxime Ardilouze



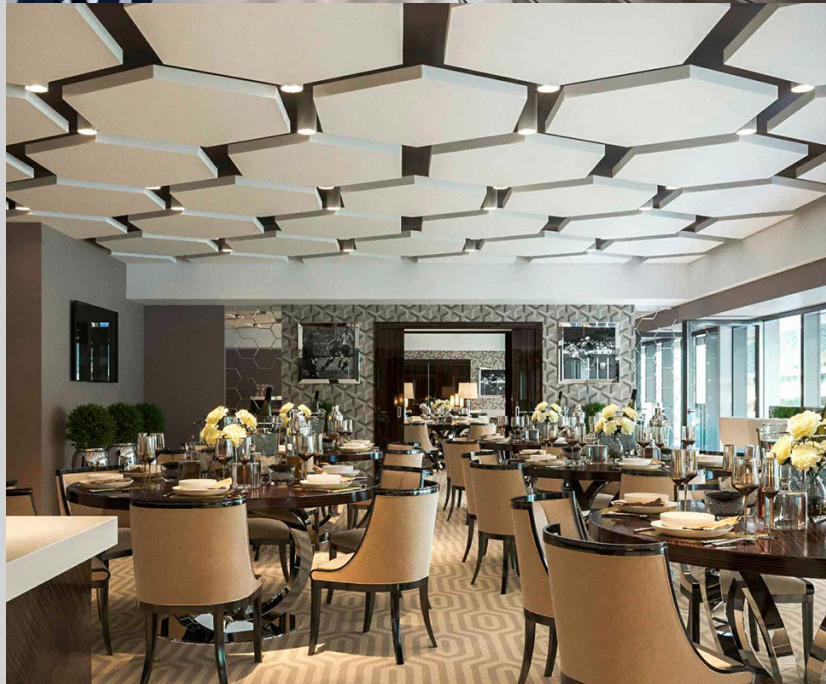
AMERICAN GEOPHYSICAL UNION, UNITED STATES



STRAIGHT

EDGE

- Available on islands, baffles, wall hanging units, totems and partitions
- Aluminium frame available in white, black or anodised aluminum
- Height from 40 mm to 100 mm
- The aluminum edge can be visible or covered by the fabric



ARAWN

EDGE - THE ELEGANT DESIGN

- Available on islands and wall hanging units
 - Bevelled edges and covered by the fabric
 - White, colours and print available
 - Height: 39 mm
 - Fabric with two layers of 10mm acoustic absorbent LA10
-



CLIPSO COLOURS AND SURFACES

Ecophon Clipso™ offers a large choice of premium fabrics. They are infinitely customisable, and offer the freedom to be unique and turn walls and ceilings into works of art.

SO ACOUSTIC

Fabric and acoustics in one (495 AC)



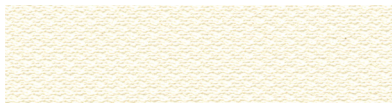
WAX 4004



CITRUS 4005



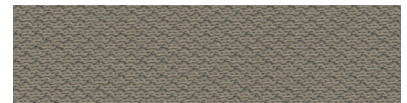
CHALKY WHITE 4011



NUDE 4012



PURPLE ASH 4022



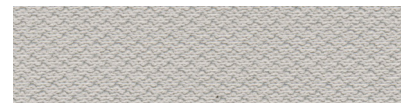
STONE 4025



BLUEBERRY 4028



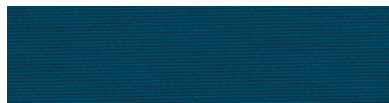
SEAFOAM 4031



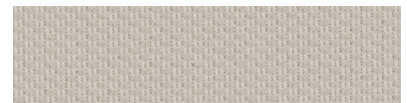
SEA GRAY 4032



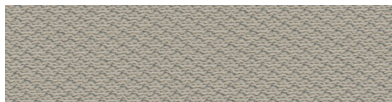
COBALT BLUE 4034



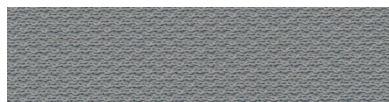
INDIGO 4035



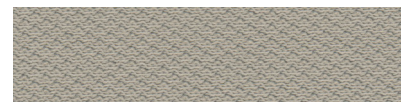
PEBBLE GRAY 4040



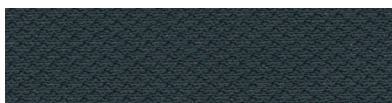
PEPPER GRAY 4041



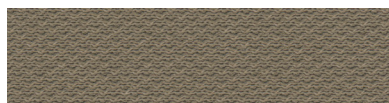
CEMENT GRAY 4051



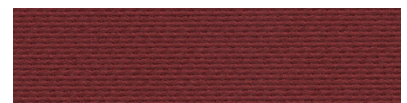
ASH 4052



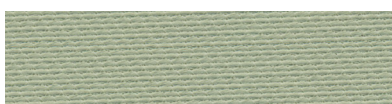
ANTHRACITE 4054



CHESTNUT 4062



SIENNA 4064



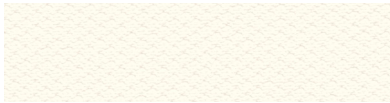
CLAY GREEN 4071



PINE GREEN 4072

SO ACOUSTIC

Fabric and acoustics in one (495 D)



CLASSIC WHITE 0002



WHITE 0003



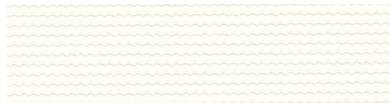
BLACK 9999

SO CLASSIC

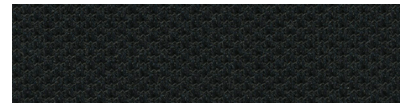
For the aesthetic and the texture (705 S)



OPTIC WHITE 0001



CLASSIC WHITE 0002



BLACK 9999

SO ACOUSTIC ANTIBACTERIAL

Acoustic and antibacterial textile (495 DAB)



WHITE 0003

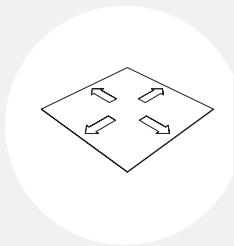


SYSTEM

PROPERTIES

ACOUSTICS, TECHNICAL PROPERTIES AND INSTALLATION DIAGRAMS

- 32 Ecophon So Acoustic
- 34 Ecophon So Classic
- 36 Ecophon So Acoustic Antibacterial



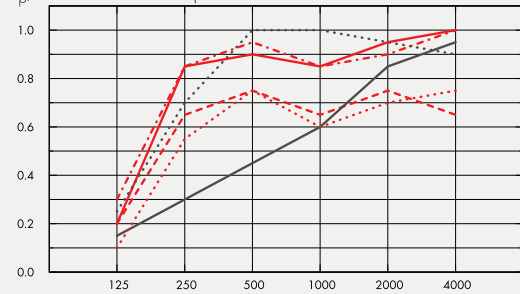
Ecophon Clipso™ So Acoustic

Acoustic: Clipso is most often installed with an absorber behind. In information given below GW40 stands for Glass Wool 40 mm thick, LA10 is a PET absorber thickness 10 mm, etc.

Sound Absorption:

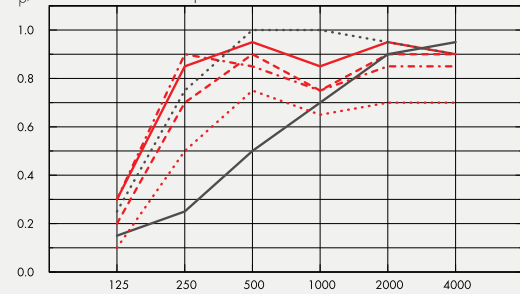
Test results according to EN ISO 354. Classification according to EN ISO 11654, and the single value ratings for Noise Reduction Coefficient, NRC and Sound Absorption Average, SAA according to ASTM C 423.

α_p , Practical sound absorption coefficient



- So Acoustic 495AC GW40, 200 mm o.d.s.
 - - So Acoustic 495AC GW20, 200 mm o.d.s.
 - . So Acoustic 495AC LA50, 200 mm o.d.s.
 - ... So Acoustic 495AC LA50, 55mm o.d.s.
 - So Acoustic 495AC LA10, 10mm o.d.s.
 - ... So Acoustic 495AC no absorber, 200mm o.d.s.
- o.d.s = overall depth of system

α_p , Practical sound absorption coefficient



- So Acoustic 495D GW40, 200 mm o.d.s.
 - - So Acoustic 495D GW20, 200 mm o.d.s.
 - . So Acoustic 495D LA50, 155mm o.d.s.
 - ... So Acoustic 495D LA50, 55mm o.d.s.
 - So Acoustic 495D LA10, 10mm o.d.s.
 - ... So Acoustic 495D no absorber, 200mm o.d.s.
- o.d.s = overall depth of system

32

	THK mm	o.d.s. mm	α_p , Practical sound absorption coefficient						α_w	Sound absorption class
			125 Hz	250 Hz	500 Hz	1000 Hz	2000 Hz	4000 Hz		
495AC GW40	40	200	0.20	0.85	0.90	0.85	0.95	1.00	0.90	A
495AC GW20	20	200	0.20	0.65	0.75	0.65	0.75	0.65	0.75	C
495AC LA50	50	200	0.30	0.85	0.95	0.85	0.90	1.00	0.90	A
495AC LA50	50	55	0.25	0.70	1.00	1.00	0.95	0.90	0.95	A
495AC LA10	10	10	0.15	0.30	0.45	0.60	0.85	0.95	0.50	D
495AC	0	200	0.10	0.55	0.75	0.60	0.70	0.75	0.70	C
495D GW40	40	200	0.30	0.85	0.95	0.85	0.95	0.90	0.95	A
495D GW20	20	200	0.20	0.70	0.90	0.75	0.90	0.90	0.85	B
495D	50	200	0.30	0.90	0.85	0.75	0.85	0.85	0.85	B
495D LA50	50	55	0.25	0.75	1.00	1.00	0.95	0.90	1.00	A
495D LA10	10	10	0.15	0.25	0.50	0.70	0.90	0.95	0.50	D
495D	0	200	0.10	0.50	0.75	0.65	0.70	0.70	0.70	C

mm	o.d.s. mm	NRC	SAA	
495AC GW40	40	200	0.90	0.90
495AC IA50	50	200	0.90	0.89
495AC	0	200	0.65	0.65
495D	50	200	0.85	0.83
495D	0	200	0.65	0.65

Indoor Air Quality:

Certificate / Label	Clipso Technical Fabric	Clipso LA absorber	Ecophon acoustic board for Clipso
Eurofins Indoor Air Comfort®	IAC Gold	-	IAC Gold
French VOC	A+	A+	A+
Greenguard	Gold	-	-

Fire safety: Europe: EN 13501-1, B-s1,d0, International Maritime Organisation: Resolutions MSC.307(88) and MSC.61(67), Modules B and D (495D),

Humidity Resistance: Dimensional stability under the action of humidity: EN 14716 (appendix C), 0% (MD), 0% (CMD) (495D), Dimensional stability under the action of heat: EN 12280-1 (30 min, 60°C), 0% (MD), 0% (CMD) (495D, 495AC), Water vapour transmission rate: ISO 2528 (38°C, 90% RH), 1901 g/m² (495D) 2104 g/m² (495AC),

Visual appearance: Matt, smooth and uniform. 495D White, nearest colour sample RAL 9016.

Cleanability: Use of Clipso Cleaning Kit recommended. Alternatively, other pH-neutral cleaning agents can be used with a soft cloth, provided it has first been tested on a scrap piece or on a non-visible area of the fabric.

Mould and Bacterial Resistance: ISO 846 A: 0, ISO 846 C: 0,

Accessibility: The system supports installation of inspection hatches.

Installation: Installed with Clipso profiles according to installation diagrams and drawing aid.

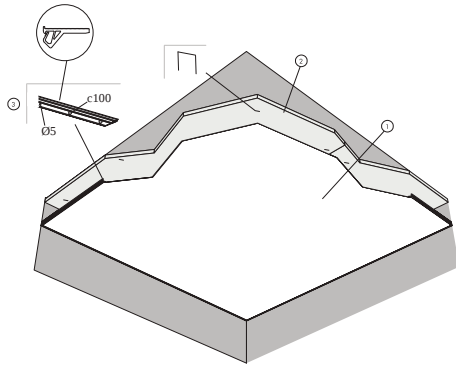
System weight: 495D: Area weight 230 g/m² ± 10% (ISO 2286-2). 495AC: Area weight 250 g/m² ± 10% (ISO 2286-2).

Mechanical properties: Additional load (lighting, ventilation, etc.) should be hung directly from the soffit. Tensile strength: ISO 1421 , 30 daN/5 cm (MD), 54 daN/5 cm (CMD) (495D) 29 daN/5 cm (MD), 107 daN/5 cm (CMD) (495AC), Tear strength: EN 1875-3, 8.9 daN (MD), 15.9 daN (CMD) (495D) 10.8 daN (MD), 17.7 daN (CMD) (495AC),

CE: Clipso technical fabrics are CE-marked according to the European harmonized standard EN14716:2005. CE marked construction products are covered by a Declaration of Performance (DOP) which enables customers and users to easily compare performance of products available on the European market.

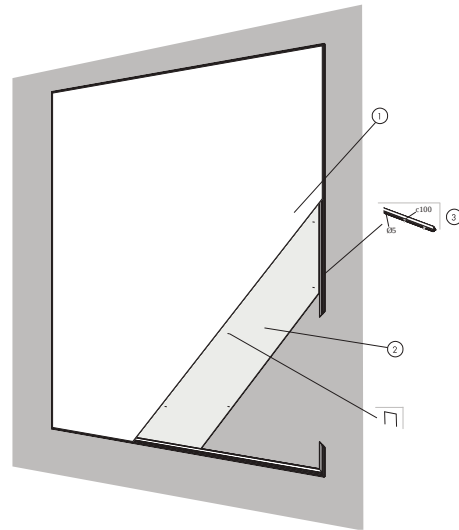
M565

Installation diagram (M571) for Clipso SO Acoustic with acoustic absorbers, ceiling application with PCW profiles



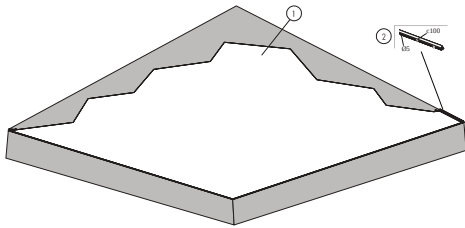
M566

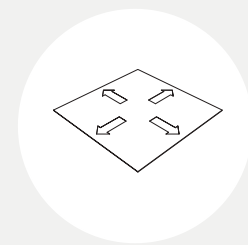
Installation diagram (M566) for Clipso SO Acoustic, wall application with PCC profiles



M571

Installation diagram (M571) for Clipso SO Acoustic, ceiling application with PCC profiles





Ecophon Clipso™ So Classic

Indoor Air Quality:

Certificate / Label	Clipso Technical Fabric	Clipso LA absorber	Ecophon acoustic board for Clipso
Eurofins Indoor Air Comfort®	IAC Gold	-	IAC Gold
French VOC	A+	A+	A+
Greenguard	Gold	-	-

Fire safety: Europe: EN 13501-1, B-s1,d0, International Maritime Organisation: Resolutions MSC.307(88) and MSC.61(67), Modules B and D,

Humidity Resistance: Dimensional stability under the action of humidity: EN 14716 (appendix C), 0% (MD), 0% (CMD), Dimensional stability under the action of heat: EN 12280-1 (30 min, 60°C), 0% (MD), 0% (CMD), Water vapour transmission rate: ISO 2528 (38°C, 90% RH), 1184 g/m²,

Visual appearance: Matt, smooth and uniform. Optical white, nearest colour sample RAL 9016.

Cleanability: Use of Clipso Cleaning Kit recommended. Alternatively, other pH-neutral cleaning agents can be used with a soft cloth, provided it has first been tested on a scrap piece or on a non-visible area of the fabric.

Mould and Bacterial Resistance: ISO 846 A: 0, ISO 846 C: 0,

Accessibility: The system supports installation of inspection hatches.

Installation: Installed with Clipso profiles according to installation diagrams and drawing aid.

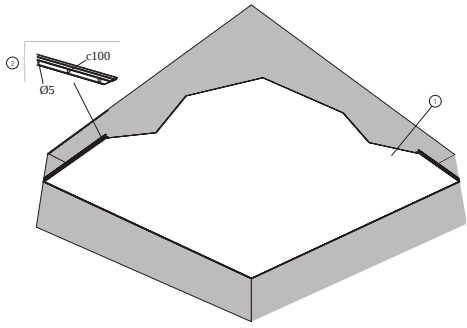
System weight: The weight of the fabric is approximately 245 g/m².

Mechanical properties: Additional load (lighting, ventilation, etc.) should be hung directly from the soffit. Tensile strength: ISO 1421 , 28 daN/5 cm (MD), 62 daN/5 cm (CMD), Tear strength: EN 1875-3, 3.7 daN (MD), 6.0 daN (CMD),

CE: Clipso technical fabrics are CE-marked according to the European harmonized standard EN14716:2005. CE marked construction products are covered by a Declaration of Performance (DOP) which enables customers and users to easily compare performance of products available on the European market.

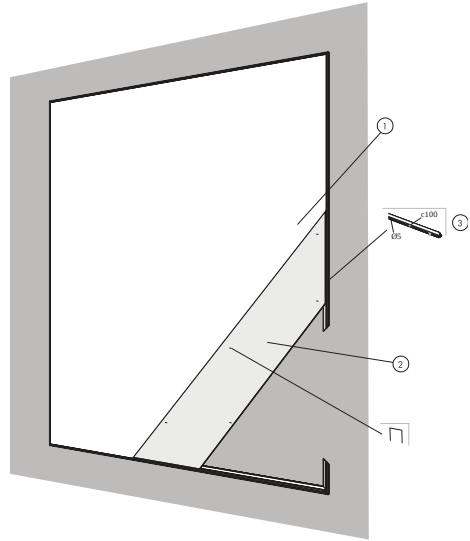
M569

Installation diagram (M569) for Clipso SO Classic, ceiling application with PCW profiles



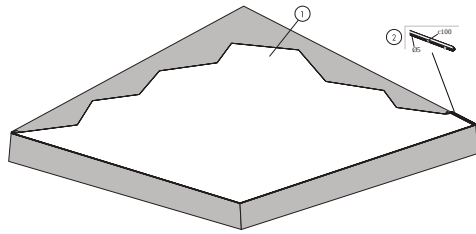
M570

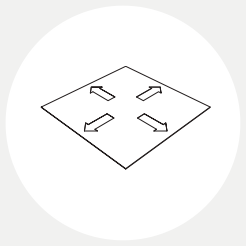
Installation diagram (M570) for Clipso SO Classic, wall application



M572

Installation diagram (M572) for Clipso SO Classic, ceiling application with PCC profiles





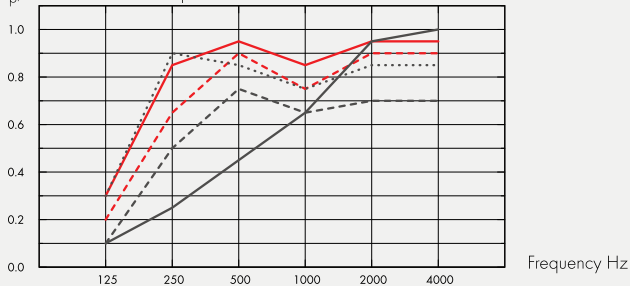
Ecophon Clipso™ So Acoustic Antibacterial

Acoustics:

Sound Absorption:

Test results according to EN ISO 354. Classification according to EN ISO 11654.

α_p , Practical sound absorption coefficient



- So Acoustic 495D AB GW20, 200 mm o.d.s.
 - So Acoustic 495D AB GW40, 200 mm o.d.s.
 - So Acoustic 495D AB LA10, 10mm o.d.s.
 - So Acoustic 495D AB LA50, 200mm o.d.s.
 - So Acoustic 495D AB no absorber, 200mm o.d.s.
- o.d.s = overall depth of system

	THK mm	o.d.s. mm	α_p , Practical sound absorption coefficient						α_w	Sound absorption class
			125 Hz	250 Hz	500 Hz	1000 Hz	2000 Hz	4000 Hz		
495D AB GW20	20	200	0.20	0.65	0.90	0.75	0.90	0.90	0.85	B
495D AB GW40	40	200	0.30	0.85	0.95	0.85	0.95	0.95	0.95	A
495D AB LA10	10	10	0.10	0.25	0.45	0.65	0.95	1.00	0.50	D
495D AB LA50	50	200	0.30	0.90	0.85	0.75	0.85	0.85	0.85	B
495D AB	0	200	0.10	0.50	0.75	0.65	0.70	0.70	0.70	C

	THK mm	o.d.s. mm	NRC	SAA
495D AB LA10	10	10	0.60	0.57
495D AB LA50	50	200	0.85	0.83
495D AB	0	200	0.65	0.65

Indoor Air Quality:

Certificate / Label	Clipso Technical Fabric	Clipso LA absorber	Ecophon acoustic board for Clipso
Eurofins Indoor Air Comfort®	IAC Gold	-	IAC Gold
French VOC	A+	A+	A+
Greenguard	Gold	-	-

Fire safety: Europe: EN 13501-1, B-s1,d0,

Humidity Resistance: Dimensional stability under the action of humidity: EN 14716 (appendix C), 0% (MD), 0% (CMD), Dimensional stability under the action of heat: EN 12280-1 (30 min, 60°C), 0% (MD), 0% (CMD), Water vapour transmission rate: ISO 2528 (38°C, 90% RH), 1901 g/m²,

Visual appearance: Matt, smooth and uniform. Nearest colour sample RAL 9016.

Cleanability: Use of Clipso Cleaning Kit recommended. Alternatively, other pH-neutral cleaning agents can be used with a soft cloth, provided it has first been tested on a scrap piece or on a non-visible area of the fabric.

Advanced Cleanability: Steam cleaning. Compatible with UV-C disinfection, BIFMA HCF 8.1-2019.

Surface Endurance: Product tested according to ISO 11998, and withstand 200 cycles.

Chemical resistance/Disinfection: Tested according to ISO 11998 and withstand the following chemicals or disinfectants. Ethanol: Ethanol, 70%, Virkon S: Dipotassium peroxodisulphate; Sulphamidic acid, 1%, Isopropanol: Isopropyl Alcohol, 70%, Anioxy-Spray: Hydrogen peroxide, 5%, Sumabac D10: Quaternary ammonium compound, Sodium carbonate, 1%,

Mould and Bacterial Resistance: Sanitized® Hygiene Function and Material Protection is a treatment that eliminates harmful microorganisms and provides a barrier against contamination, ensuring cleanliness and safety in areas where it matters the most. ISO 846 A: 0, ISO 846 B: 0, ISO 846 C: 0, Sanitized® : Compliant,

Accessibility: The system supports installation of inspection hatches.

Clean Room: ISO 14644: Particle cleanliness class, ISO 4, NF S 90-351: Microbiological class, M1/area 4, NF S 90-351: Particle elimination kinetics, CP{0,5} 5,

Installation: Installed with Clipso profiles according to installation diagrams and drawing aid. Non-magnetic system when specific fixation screws are used.

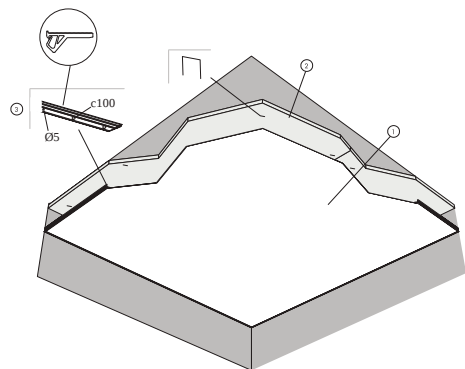
System weight: Area weight 230 g/m² ± 10% (ISO 2286-2).

Mechanical properties: Additional load (lighting, ventilation, etc.) should be hung directly from the soffit. Tensile strength: ISO 1421 , 30 daN/5 cm (MD), 54 daN/5 cm (CMD) (495D) 29 daN/5 cm (MD), 107 daN/5 cm (CMD) (495AC), Tear strength: EN 1875-3, 8.9 daN (MD), 15.9 daN (CMD) (495D) 10.8 daN (MD), 17.7 daN (CMD) (495AC),

CE: Clipso technical fabrics are CE-marked according to the European harmonized standard EN14716:2005. CE marked construction products are covered by a Declaration of Performance (DOP) which enables customers and users to easily compare performance of products available on the European market.

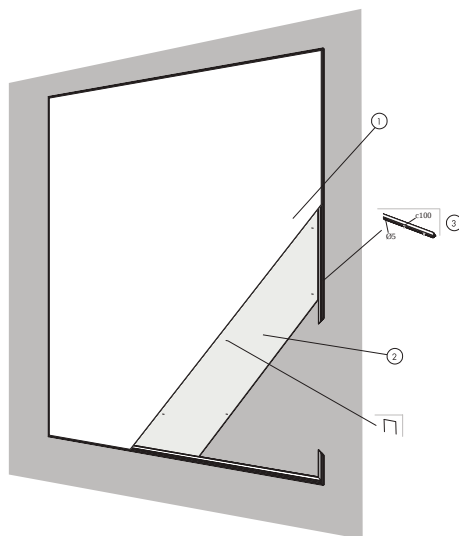
M596

Installation diagram (M596) for Clipso 50 Acoustic AB, ceiling application with PCW profiles



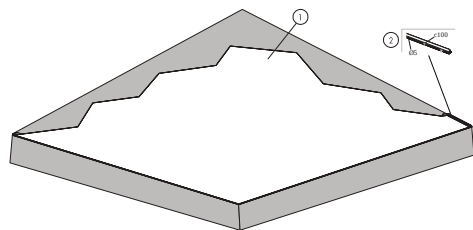
M597

Installation diagram (M597) for Clipso 50 Acoustic AB, wall application with PCC profiles.



M598

Installation diagram (M598) for Clipso 50 Acoustic AB, ceiling application with PCC profiles





Ecophon is the leading supplier of indoor acoustic solutions that improve working performance and quality of life. We believe in the difference sound can make to our everyday lives, and are passionate advocates for the importance of room acoustics to people's wellbeing - whatever the space, activity or need.

Having a sound effect on people is the principle that guides all we do. We're proud of the Swedish heritage and human approach that promise is founded on. Our uncompromising commitment to transparent sustainable practice. And, as members of the Saint-Gobain Group, to be doing our part in making the world a better home.

This publication shows products from Ecophon product range and those of other suppliers. The specifications are intended to provide a general guide to which products are most suitable for the preferences indicated. Technical data is based on results obtained under typical testing conditions or long experience in normal conditions. The specified functions and properties for products and systems are only valid on condition that instructions, installation diagrams, installation guides, maintenance instructions and other stated conditions and recommendations have been taken into consideration and followed. Deviation from this, such as changing specific components or products, will mean that Ecophon cannot be held responsible for the function, consequences and properties of the products. All descriptions, illustrations and dimensions contained in this brochure represent general information and shall not form part of any contract. Ecophon reserves the right to change products without prior notice. We disclaim any liability for misprints. For the latest information go to www.ecophon.com or contact your nearest Ecophon representative.
©Saint-Gobain Ecophon AB